

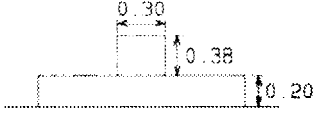
TRAVERSE STATION SUMMARY

STATION NO. : 7034.07 (FORMER NO. : _____) CLASS : _____
 LOCALITY : TAM MI CAMP SURVEY SHEET NO. : 2-SE-19A

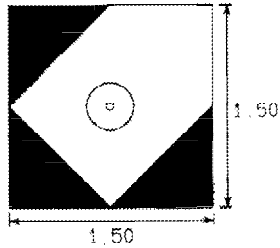
<i>HK 80 DATUM</i>	<p><i>HK 1980 GRID COORDINATES</i> : N = 838 381.416 m , E = 827 567.839 m , Ht = 239.3m ⁽¹⁾ (<i>By Survey</i>) <i>Note (1): Height is above the HKPD and measured to the top of mark.</i></p> <p style="text-align: center;"><i>LEVEL ACCURACY</i> :</p>
<i>WGS 84 DATUM</i>	<p><i>GEOGRAPHICAL COORDINATES</i> : Lat _____ , Long _____ , Ht = _____ m ⁽²⁾ (<i>By Transformation</i>) <i>Note (2): Height is above the WGS 84 Ellipsoid and measured to the top of mark.</i></p> <p style="text-align: center;"><i>GPS ACCURACY</i> : <i>REFERENCE FRAME</i> :</p>

STATION SKETCH
(Not to scale)

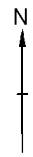
TYPE OF MARK:
BEACON B



Side View

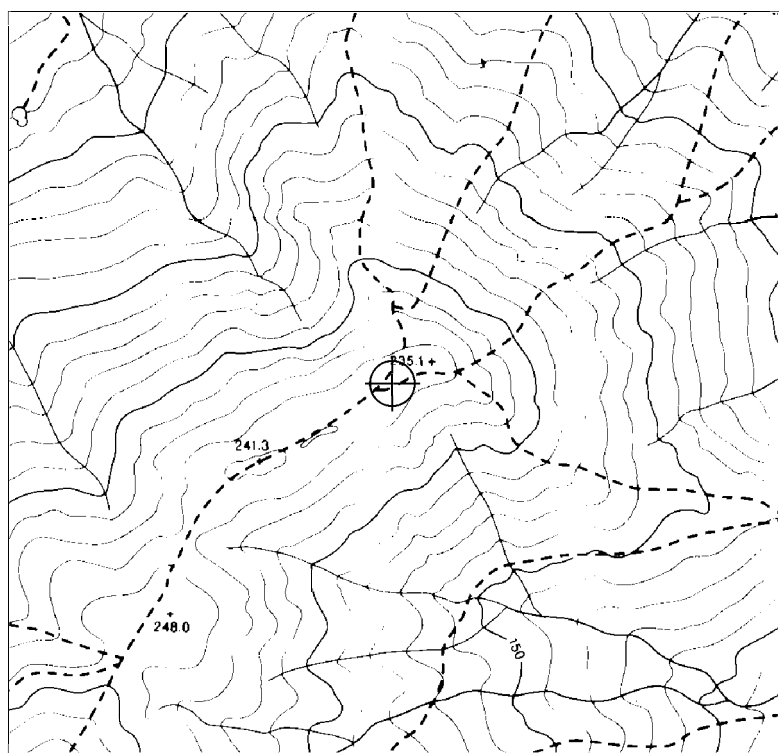



Plan View




N

LOCATION MAP





N

Scale : 1 / 5 000 Legend :  = Station

REMARKS: