

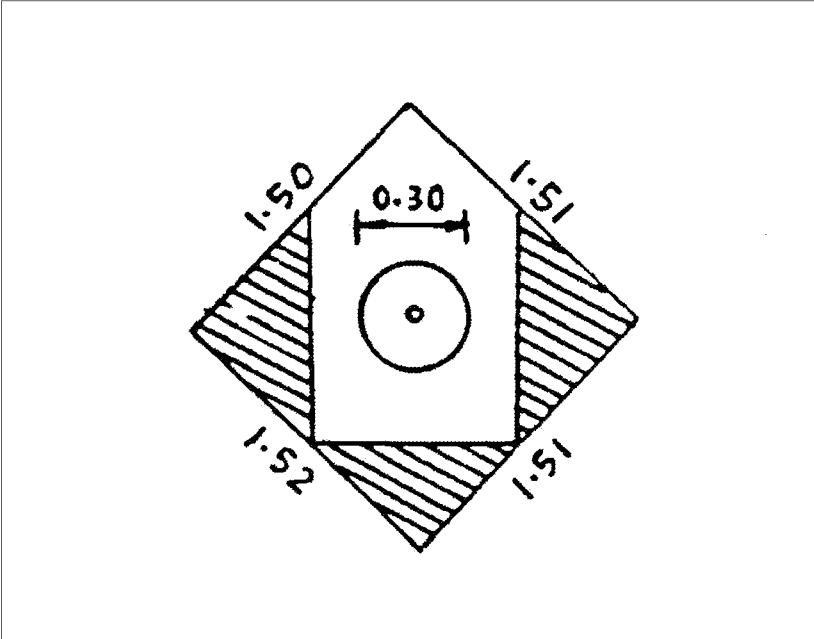
TRAVERSE STATION SUMMARY

STATION NO. : 3001.007 (FORMER NO. : _____) CLASS : _____
 LOCALITY : LUK CHAU WAN SURVEY SHEET NO. : 15-NW-11D

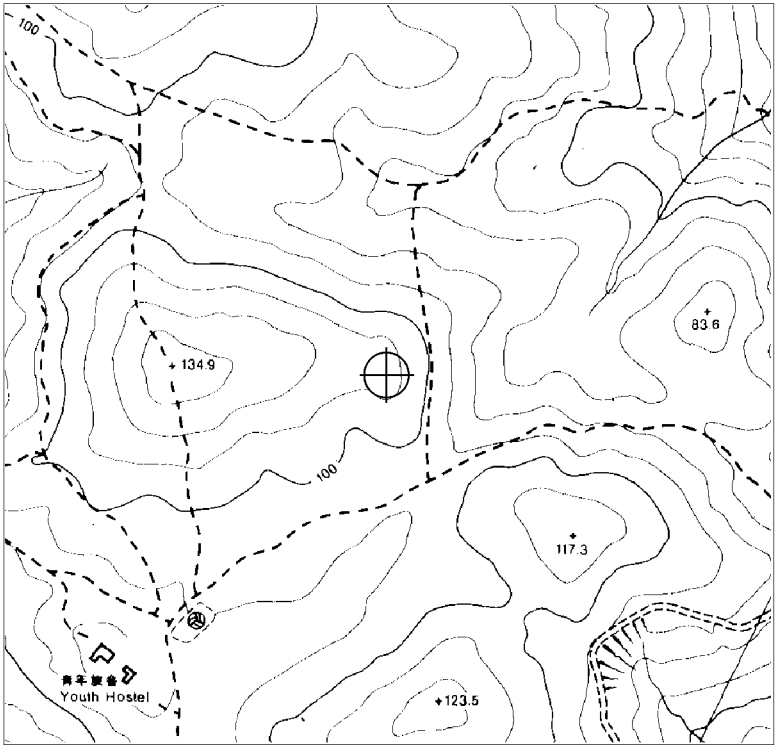
<i>HK 80 DATUM</i>	<p><i>HK 1980 GRID COORDINATES</i> : N = 808 578.322 m , E = 831 154.585 m , Ht = _____ m ⁽¹⁾ (By Survey) Note (1): Height is above the HKPD and measured to the top of mark. LEVEL ACCURACY :</p>
<i>WGS 84 DATUM</i>	<p><i>GEOGRAPHICAL COORDINATES</i> : Lat _____ , Long _____ , Ht = _____ m ⁽²⁾ (By Transformation) Note (2): Height is above the WGS 84 Ellipsoid and measured to the top of mark. GPS ACCURACY : REFERENCE FRAME :</p>

STATION SKETCH
(Not to scale)

TYPE OF MARK:
BEACON B



LOCATION MAP



Scale : 1 / 5 000
Legend : = Station

REMARKS: