

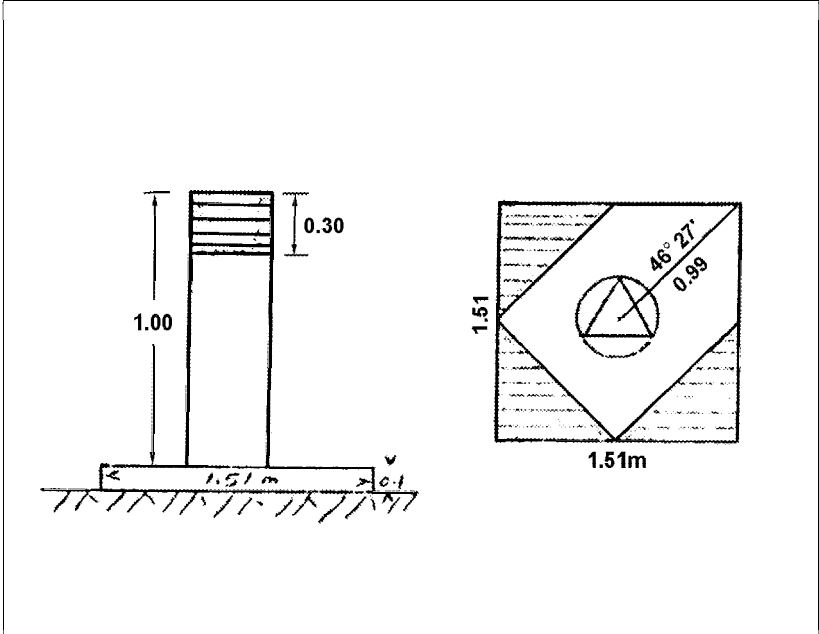
TRAVERSE STATION SUMMARY

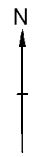
STATION NO. : 4011.08 (FORMER NO. : D574) CLASS : _____
 LOCALITY : Tin Ha Au SURVEY SHEET NO. : 12-SW-12C

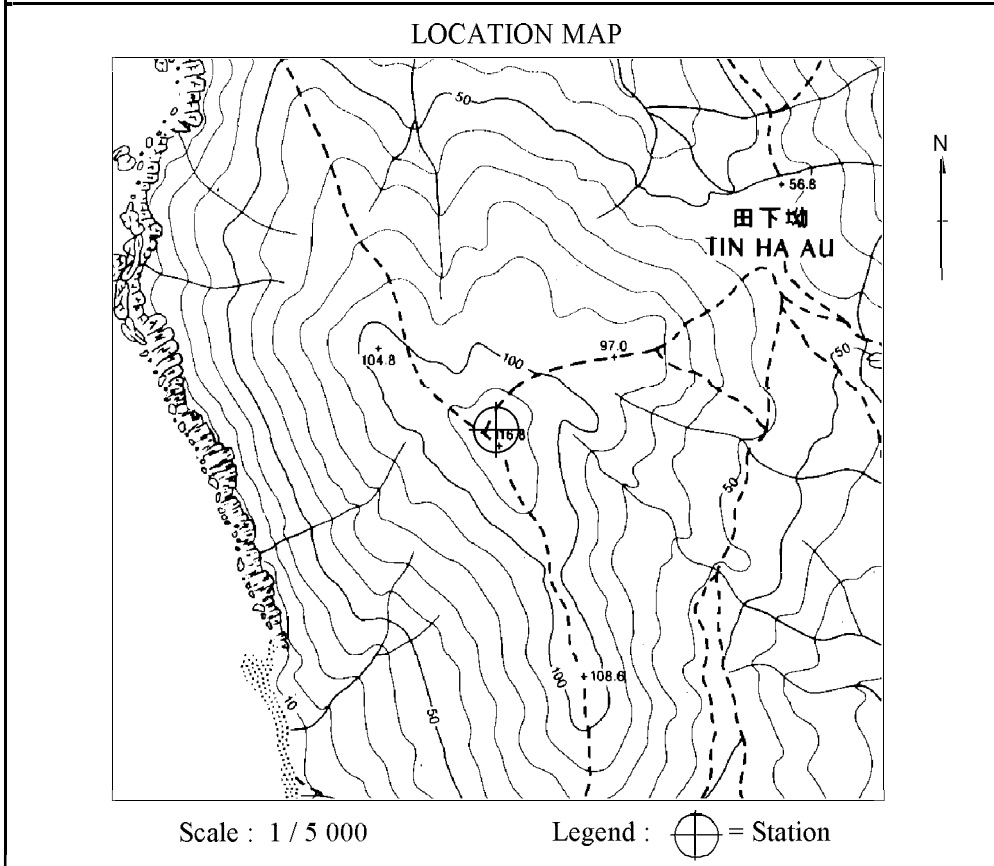
HK 80 DATUM	HK 1980 GRID COORDINATES : N = 814 971.766 m , E = 846 762.133 m , Ht = 119.3m ⁽¹⁾ (By Survey) Note (1): Height is above the HKPD and measured to the top of mark. LEVEL ACCURACY : _____
WGS 84 DATUM	GEOGRAPHICAL COORDINATES : Lat _____ , Long _____ , Ht = _____ m ⁽²⁾ (By Transformation) Note (2): Height is above the WGS 84 Ellipsoid and measured to the top of mark. GPS ACCURACY : _____ REFERENCE FRAME : _____

STATION SKETCH
(Not to scale)

TYPE OF MARK:
BEACON A







REMARKS: