

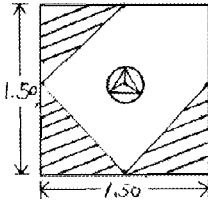
TRAVERSE STATION SUMMARY

STATION NO. : 7026.06 (FORMER NO. : TV181.06) CLASS : _____
 LOCALITY : Tai Shui Hang SURVEY SHEET NO. : 7-NE-23D

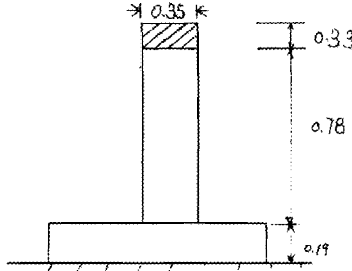
HK 80 DATUM	HK 1980 GRID COORDINATES : N = <u>830 145.418</u> m , E = <u>841 746.889</u> m , Ht = <u>180.3</u> m ⁽¹⁾ (By Survey) Note (1): Height is above the HKPD and measured to the top of mark. LEVEL ACCURACY : _____
WGS 84 DATUM	GEOGRAPHICAL COORDINATES : Lat _____ , Long _____ , Ht = _____ m ⁽²⁾ (By Transformation) Note (2): Height is above the WGS 84 Ellipsoid and measured to the top of mark. GPS ACCURACY : _____ REFERENCE FRAME : _____

STATION SKETCH
(Not to scale)


TYPE OF MARK:
BEACON A



Plan

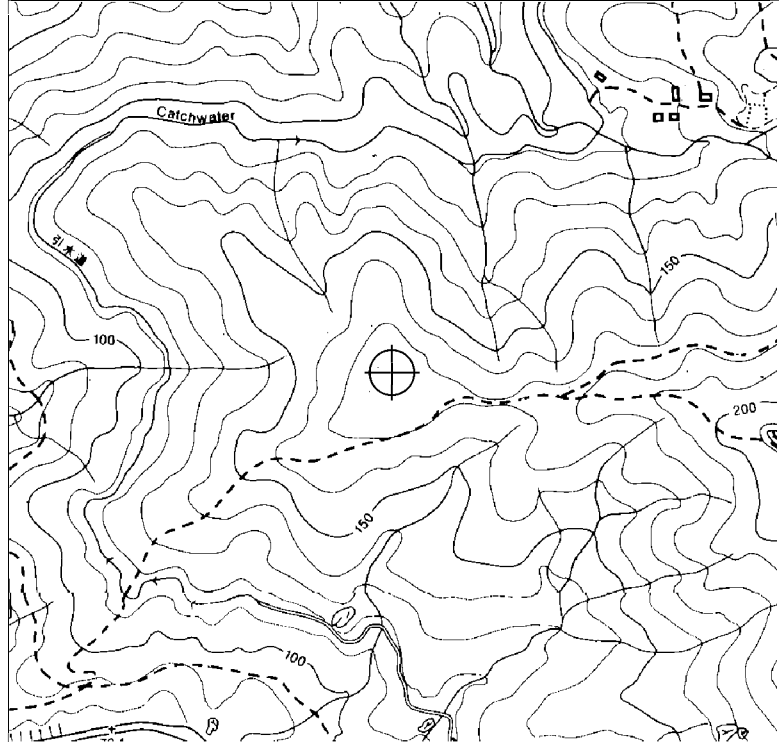


Elevation



N

LOCATION MAP



Scale : 1 / 5 000 Legend : = Station

REMARKS:
 PROPOSED RESERVED
 SITE RECORDED ON
 23/01/97