

TRAVERSE STATION SUMMARY

STATION NO. : 7026.09 (FORMER NO. : TV181.09) CLASS : _____

LOCALITY : Luk Chau Shan SURVEY SHEET NO. : 7-SE- 9B

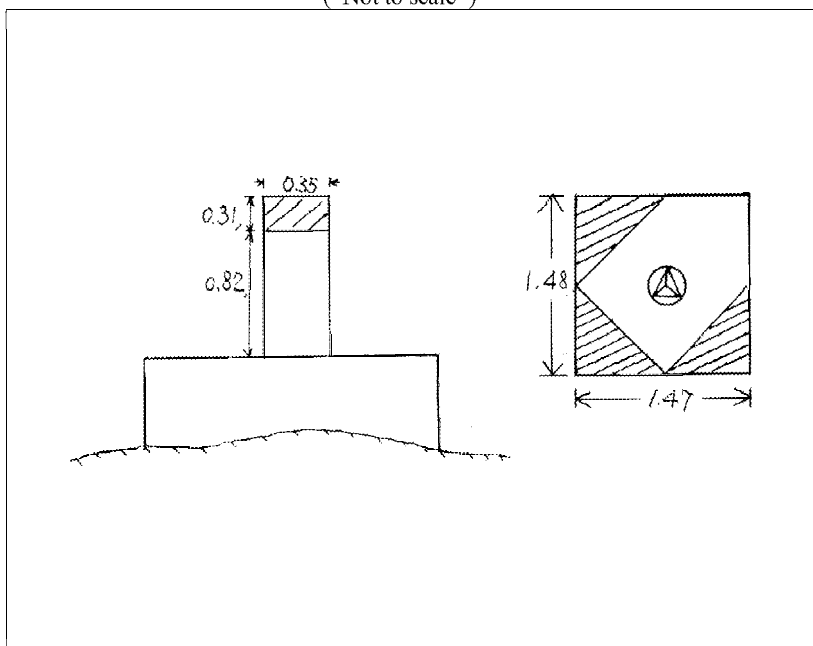
HK 80 DATUM	<p>HK 1980 GRID COORDINATES : N = 828 787.341 m , E = 842 876.610 m , Ht = 414.9m ⁽¹⁾ (<u>By Survey</u>) Note (1): Height is above the HKPD and measured to the top of mark.</p> <p style="text-align: center;">LEVEL ACCURACY :</p>
WGS 84 DATUM	<p>GEOGRAPHICAL COORDINATES : Lat _____ , Long _____ , Ht = _____ m ⁽²⁾ (<u>By Transformation</u>) Note (2): Height is above the WGS 84 Ellipsoid and measured to the top of mark.</p> <p style="text-align: center;">GPS ACCURACY : REFERENCE FRAME :</p>

STATION SKETCH

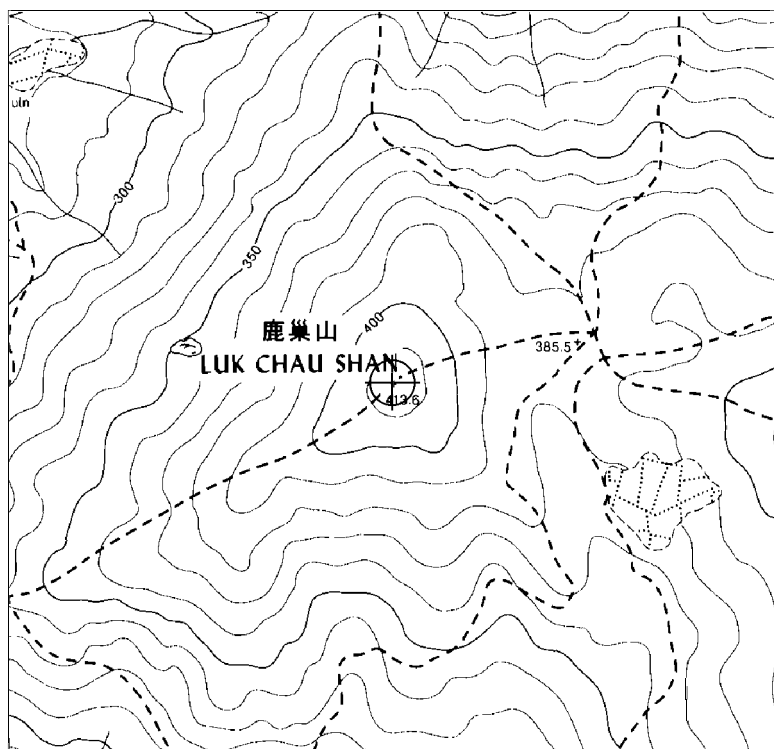
(Not to scale)

TYPE OF MARK:

BEACON A



LOCATION MAP



Scale : 1 / 5 000

Legend : = Station

REMARKS: