

TRAVERSE STATION SUMMARY

STATION NO. : 7027.03 (FORMER NO. : TV197.03) CLASS : _____

LOCALITY : Ta Kwu Ling SURVEY SHEET NO. : 3-NW-18B

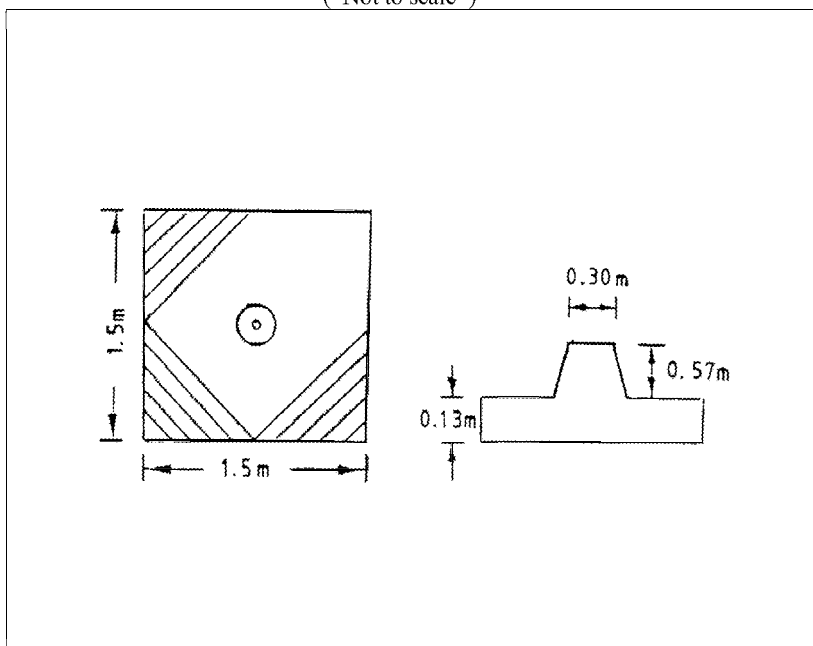
HK 80 DATUM	<p>HK 1980 GRID COORDINATES : N = <u>844 274.238</u> m , E = <u>834 137.851</u> m , Ht = <u>32.9</u> m ⁽¹⁾ (By Survey) Note (1): Height is above the HKPD and measured to the top of mark.</p> <p style="text-align: center;">LEVEL ACCURACY :</p>
WGS 84 DATUM	<p>GEOGRAPHICAL COORDINATES : Lat _____ , Long _____ , Ht = _____ m ⁽²⁾ (By Transformation) Note (2): Height is above the WGS 84 Ellipsoid and measured to the top of mark.</p> <p style="text-align: center;">GPS ACCURACY : REFERENCE FRAME :</p>

STATION SKETCH

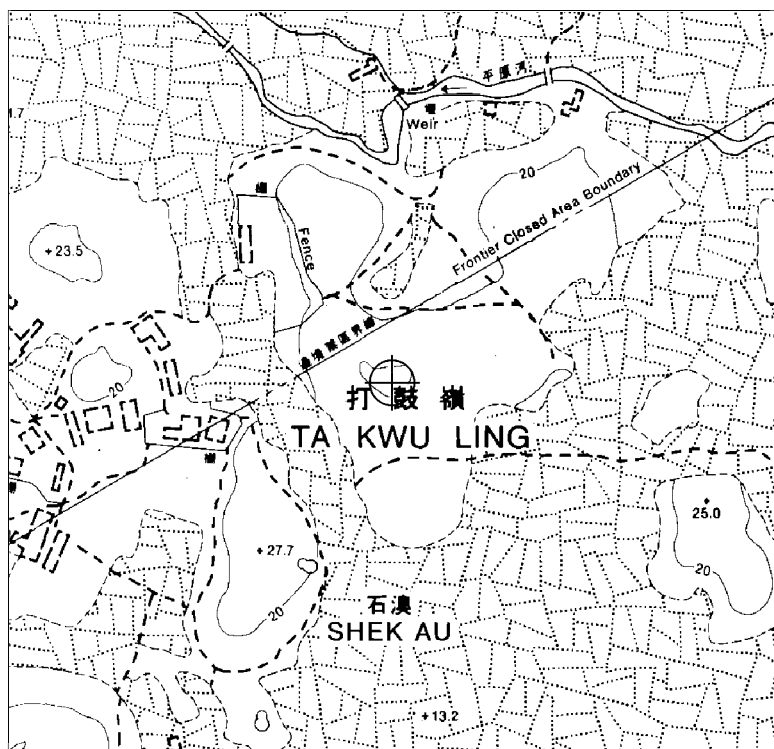
(Not to scale)

TYPE OF MARK:

BEACON B



LOCATION MAP



Scale : 1 / 5 000

Legend : = Station

REMARKS:

Prepared by : GEOD/NT Checked by : GEOD/NT Approved by : GEOD/NT
 Date : 31/12/1998

Geodetic Survey Section
 SMO, Lands Department
 Copyright reserved