

# TRAVERSE STATION SUMMARY

STATION NO. : 7027.04 (FORMER NO. : TV197.04 ) CLASS : \_\_\_\_\_

LOCALITY : Hung Lung Hang SURVEY SHEET NO. : 3-NW-23A

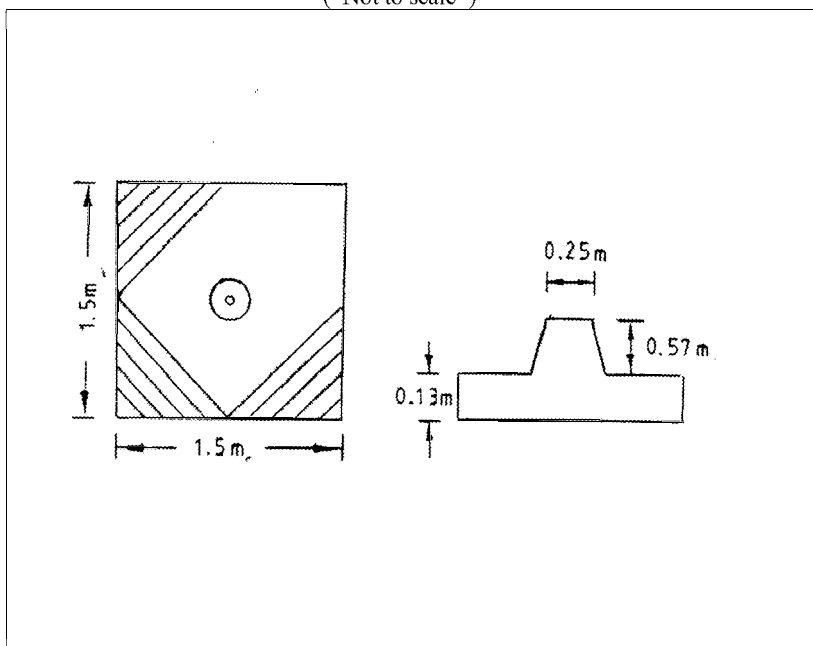
<b>HK 80 DATUM</b>	<p><b>HK 1980 GRID COORDINATES</b> : N = <u>843 125.523</u> m , E = <u>833 156.238</u> m , Ht = <u>34.9</u> m <sup>(1)</sup>                  ( <u>By Survey</u> ) <span style="float: right;">Note (1): Height is above the HKPD and measured to the top of mark.</span></p> <p style="text-align: center;"><b>LEVEL ACCURACY</b> :</p>
<b>WGS 84 DATUM</b>	<p><b>GEOGRAPHICAL COORDINATES</b> : Lat _____ , Long _____ , Ht = _____ m <sup>(2)</sup>                  ( <u>By Transformation</u> ) <span style="float: right;">Note (2): Height is above the WGS 84 Ellipsoid and measured to the top of mark.</span></p> <p style="text-align: center;"><b>GPS ACCURACY</b> : <span style="float: right;"><b>REFERENCE FRAME</b> :</span></p>

## STATION SKETCH

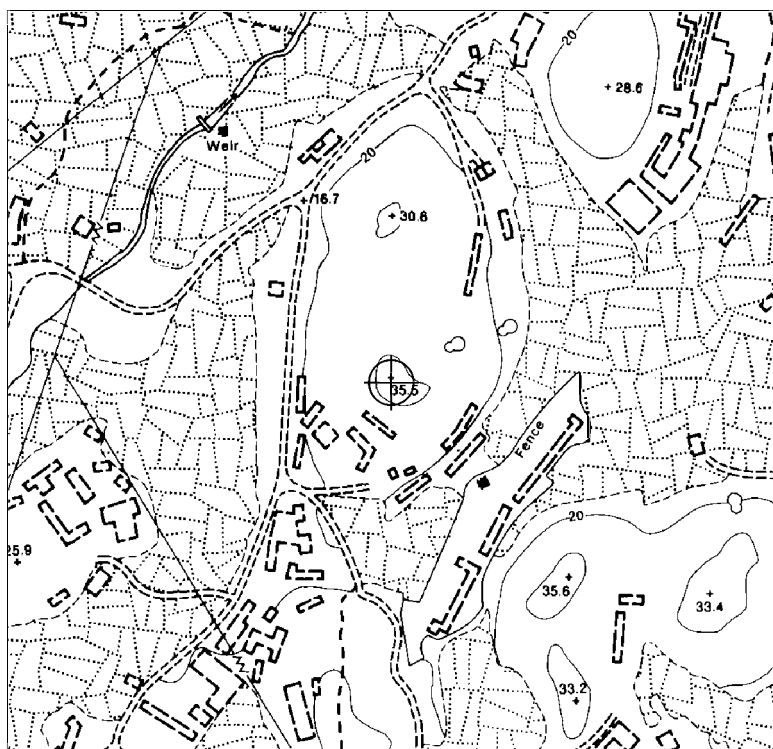
( Not to scale )

TYPE OF MARK:

BEACON B



## LOCATION MAP



Scale : 1 / 5 000

Legend : = Station

REMARKS: