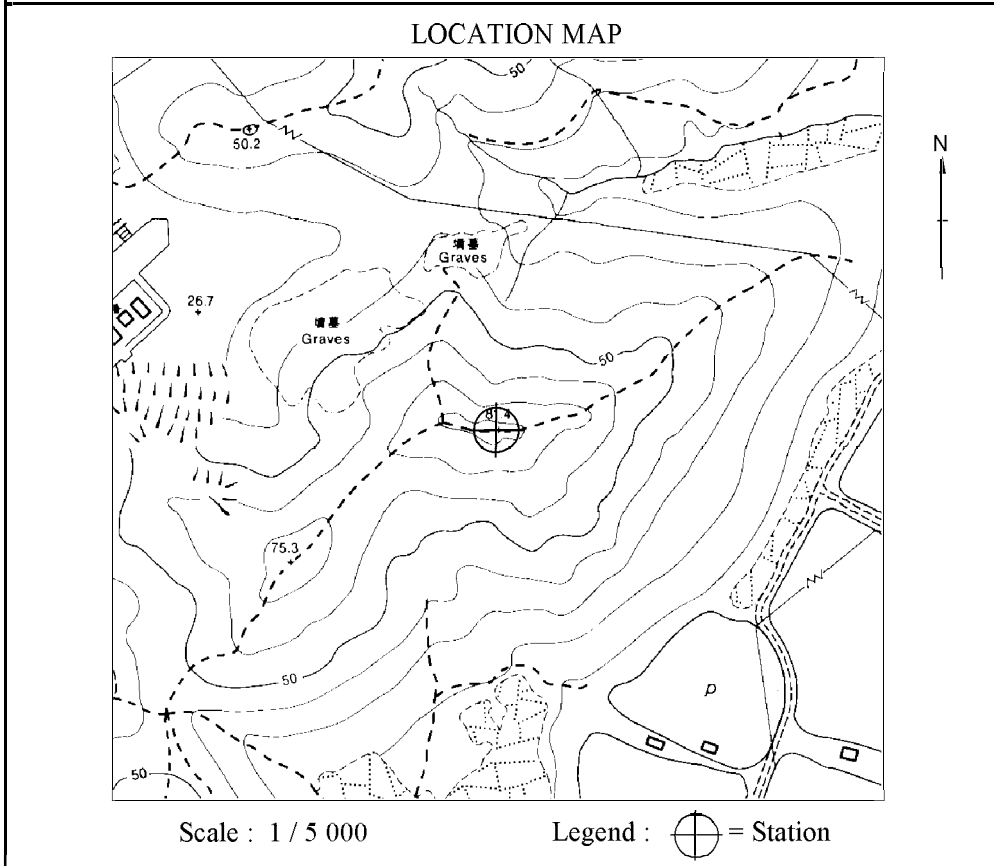
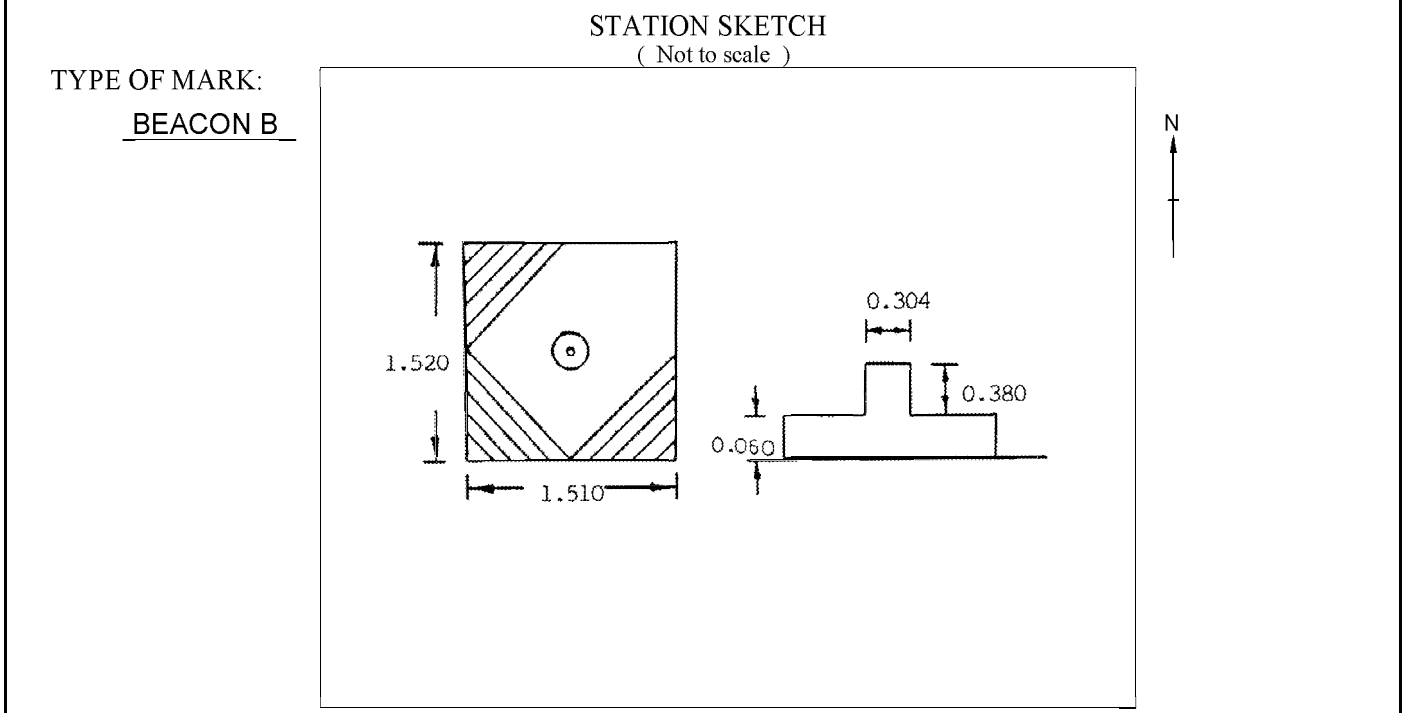


TRAVERSE STATION SUMMARY

STATION NO. : 7030.02 (FORMER NO. : TV167.02) CLASS : _____
 LOCALITY : LAU FAU SHAN SURVEY SHEET NO. : 2-SW-22B

HK 80 DATUM	HK 1980 GRID COORDINATES : N = <u>836 946.823</u> m , E = <u>817 531.989</u> m , Ht = <u>81.6</u> m ⁽¹⁾ (By Survey) Note (1): Height is above the HKPD and measured to the top of mark. LEVEL ACCURACY : _____
WGS 84 DATUM	GEOGRAPHICAL COORDINATES : Lat _____ , Long _____ , Ht = _____ m ⁽²⁾ (By Transformation) Note (2): Height is above the WGS 84 Ellipsoid and measured to the top of mark. GPS ACCURACY : _____ REFERENCE FRAME : _____



REMARKS: