

TRAVERSE STATION SUMMARY

STATION NO. : 7030.06 (FORMER NO. : TV167.06) CLASS : _____

LOCALITY : WING NING TSUEN SURVEY SHEET NO. : 6-NW-4C

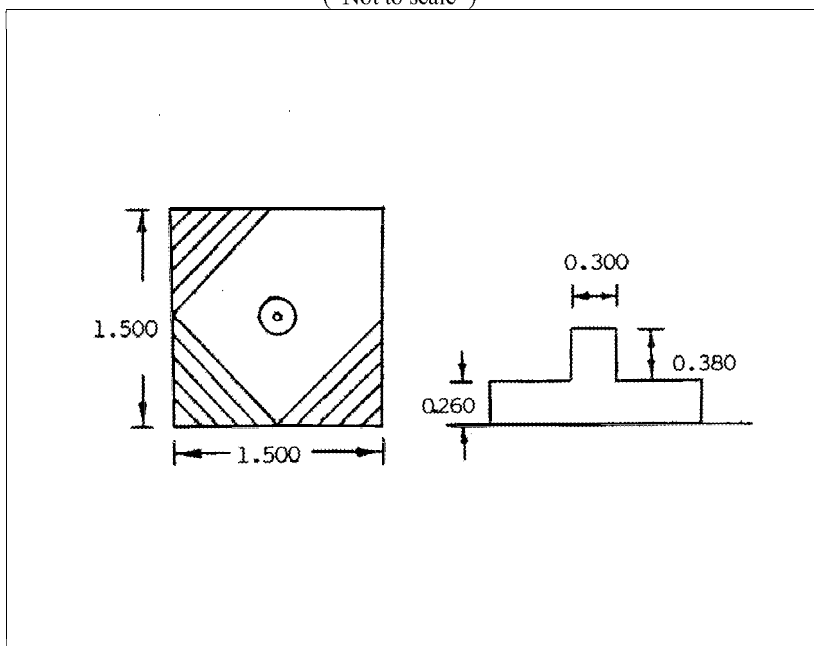
HK 80 DATUM	<p>HK 1980 GRID COORDINATES : N = <u>834 852.407</u> m , E = <u>819 596.812</u> m , Ht = <u>68.2</u> m ⁽¹⁾ (<u>By Survey</u>) Note (1): Height is above the HKPD and measured to the top of mark.</p> <p style="text-align: center;">LEVEL ACCURACY :</p>
WGS 84 DATUM	<p>GEOGRAPHICAL COORDINATES : Lat _____ , Long _____ , Ht = _____ m ⁽²⁾ (<u>By Transformation</u>) Note (2): Height is above the WGS 84 Ellipsoid and measured to the top of mark.</p> <p style="text-align: center;">GPS ACCURACY : REFERENCE FRAME :</p>

STATION SKETCH

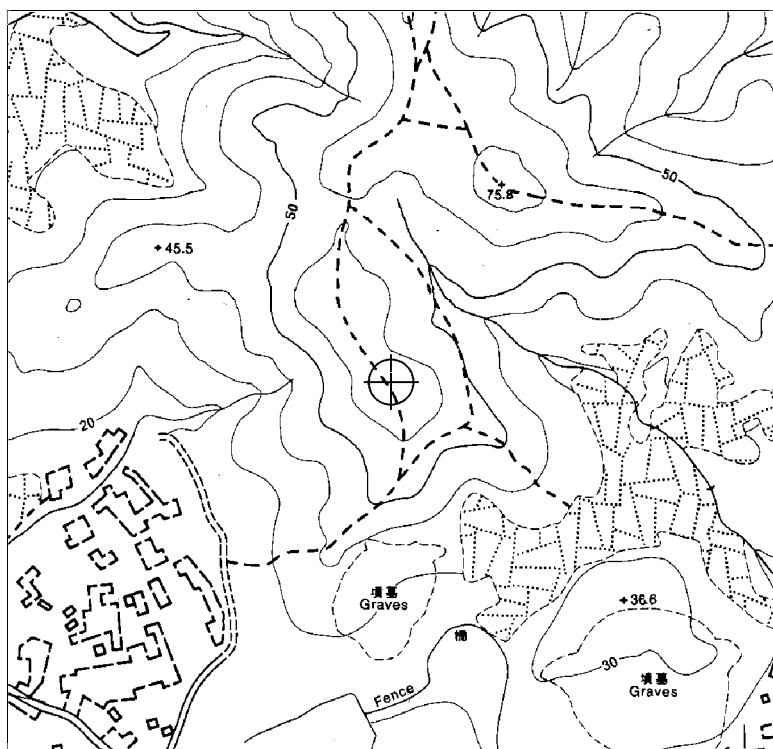
(Not to scale)

TYPE OF MARK:

BEACON B



LOCATION MAP



Scale : 1 / 5 000

Legend : = Station

REMARKS:

Prepared by : GEOD/NT Checked by : GEOD/NT Approved by : GEOD/NT
 Date : 31/12/1998

Geodetic Survey Section
 SMO, Lands Department
 Copyright reserved